

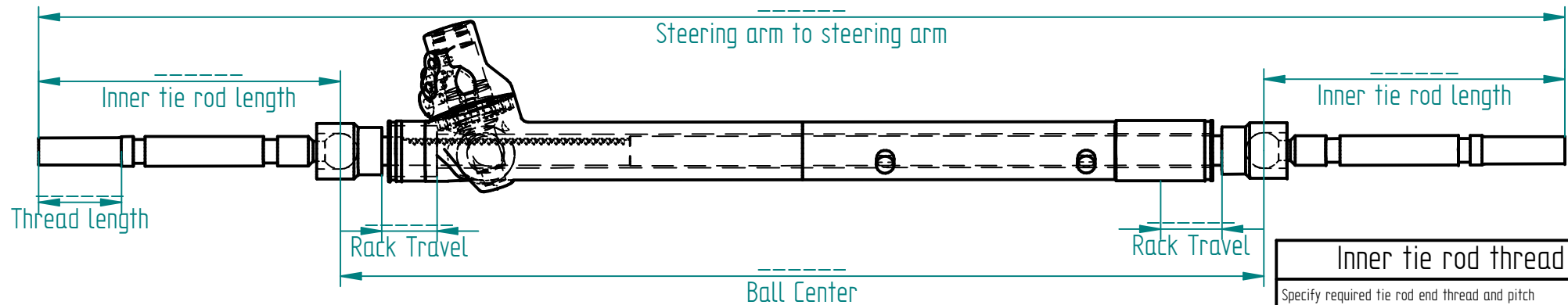
Customer Name:	-----
Phone:	-----
E-Mail:	-----
Vehicle type:	-----

By signing below, you acknowledge that the info given, which needs to be filled out in full, is what you want. CAE Performance Products will deliver you a product within their tolerances to the specifications you have given if possible. As these are a made to order or custom product they are a non-returnable product.

Sign: ----- Date: -----

Rack Measurements

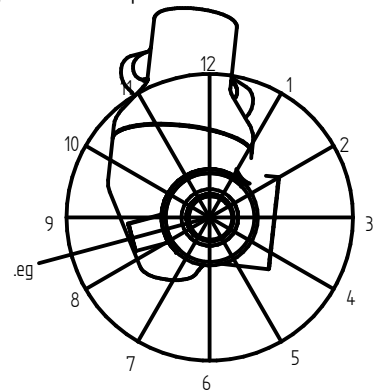
Fill out your required measurements for dimensions on below above writing



Inner tie rod thread	
Specify required tie rod end thread and pitch All threads are to be male, sleeves to adapt to female threads are available upon request. We offer the following thread sizes in a range of pitches $\frac{1}{2}$, $\frac{9}{16}$, M12, M14	
Thread size and pitch: -----	
R&P Type	
Front Steer (Unit mounted in front of front axle)	Rear Steer (Unit mounted Behind front axle)
<input type="checkbox"/>	<input type="checkbox"/>

Port holes position

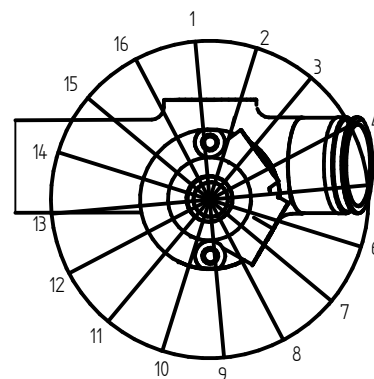
Mark the orientation you desire for your port lines
Keep in mind, below a rear steer set up is shown, a front steer set up will have the servo housing on the other side
eg. the below picture is at 8.5 on the clock



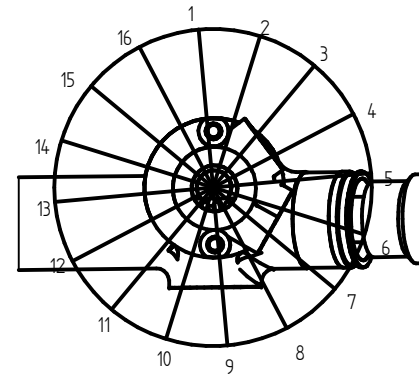
Servo Housing lines position

On one of the two drawings below, please indicate by circling a number what orientation you desire the lines to point

Below is a front steer set up with the lines in position 5



Below is a rear steer set up with the lines in position 5



CAE Performance Products

7 MAIN ROAD CASTLEMAINE
VICTORIA 3450 AUSTRALIA
PO BOX 686 CASTLEMAINE
VICTORIA 3450 AUSTRALIA
Australian callers
T 03 5472 1442
F 03 5472 4111
International callers
T 61 3 5472 1442
F 61 3 5472 4111
WWW.CAENTERPRISES.COM.AU