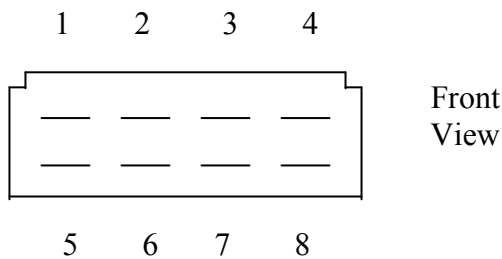


WIRING INSTRUCTIONS TO SUIT : Holden VT – V6+V8

Lay the C.A.E Engine loom in vehicle and plug in all the sensors. (The sensor plugs can only be connected one way). Mount the C.A.E Control Loom with the relays and circuit breakers to the right hand side inner guard or sub frame. Making sure that the earth lug with 3 black wires is secured under the mounting bolt.

Using terminals and plugs supplied, adapt the original harness to the new loom as per colour codes and numbers on the 8 pin plugs that are listed below:

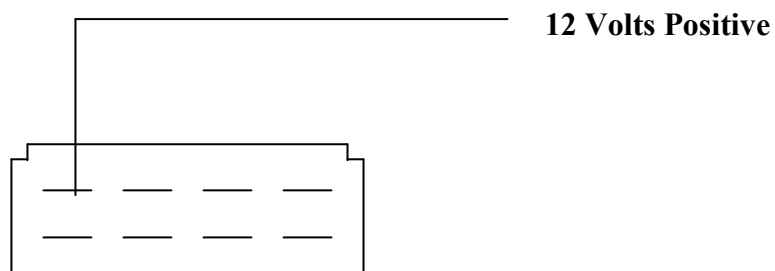
8 Pin Female Plug



- | | |
|------------------|---|
| 1) Red | Main cab feed (positive 30 amps Protection). |
| 2) Pink | Ignition supply (with key in start position). |
| 3) Green | Water Temp gauge or light (not both). |
| 4) Black / White | Alternator light. |
| 5) Blue | Oil Pressure gauge or light (not both). |
| 6) Violet | Starter Motor Input Signal. |
| 7) Red\White | Power / Econ switch. |
| 8) Grey | Reverse Lights |

1) Battery Supply

This is an auxiliary battery supply, (rated at 30 amps). It can be used for a number of things including power supply to the ignition switch.

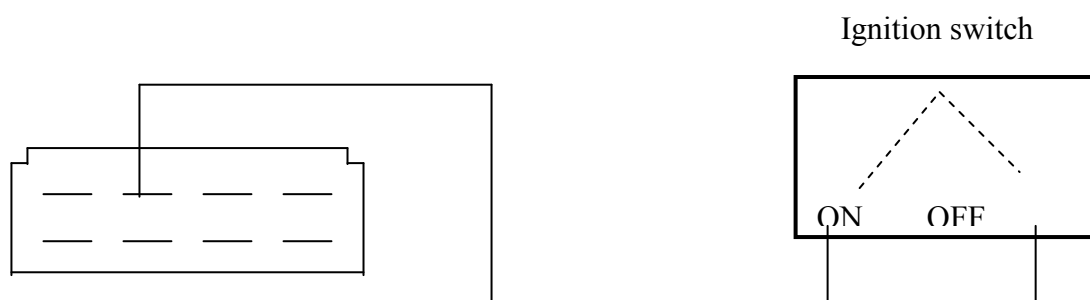


2) Ignition Supply

This is to be wired up to the Ignition switch. Making sure that there is 12 volts power when the key is in the ON position, and while the engine is being cranked.

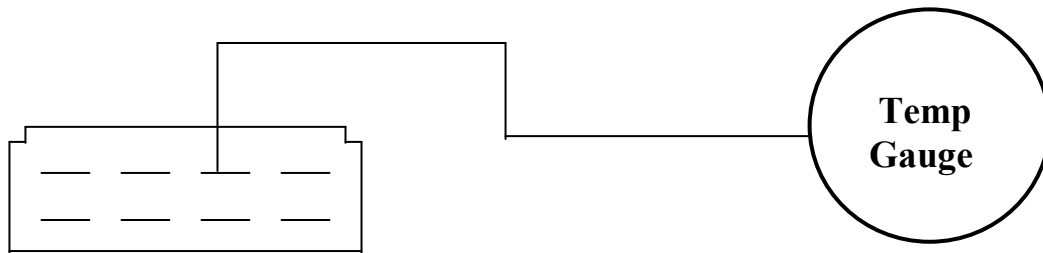
IF VEHICLE WAS ORIGINALLY FITTED WITH POINTS:

You will have to find the ignition bypass wire and discard it. (Refer to **NOTE 1**).



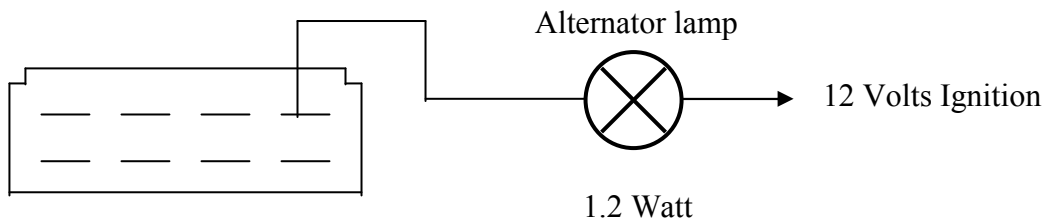
3) Temperature Gauge

This is to be wired up to the Temperature gauge, if you are using the original temp gauge on the vehicle, you will have to change the temp sender to match.



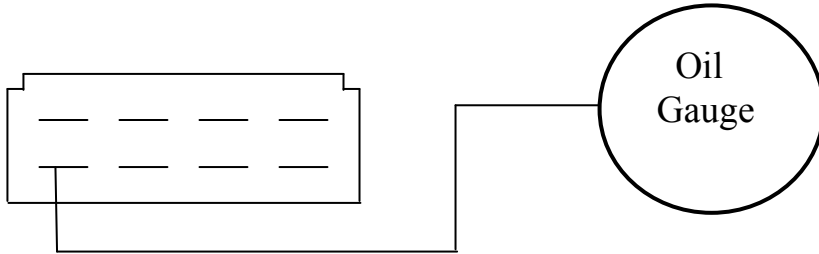
4) Alternator Lamp

This is to be wired to alternator warning light.



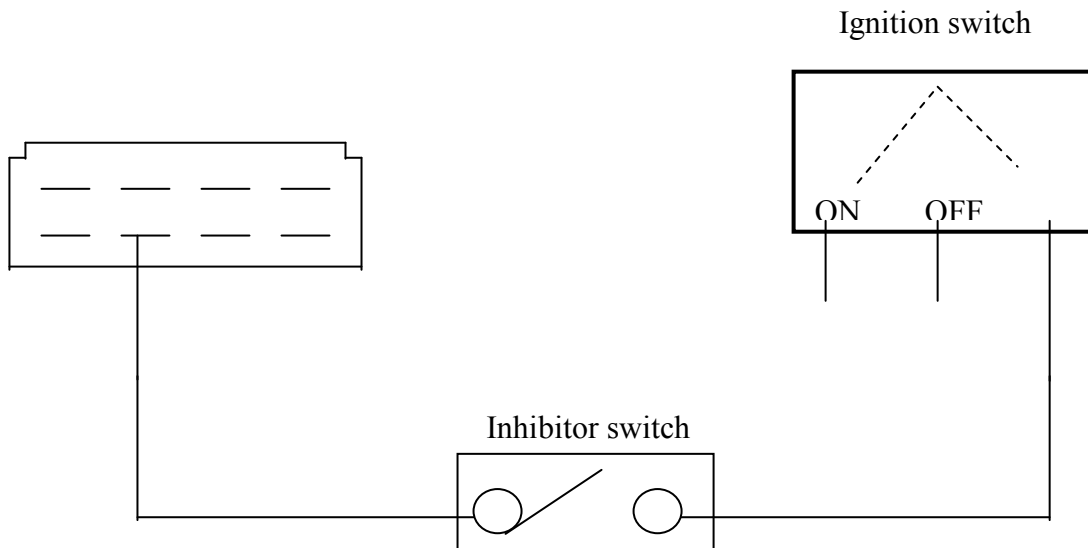
5) Oil Gauge

This is to be wired up to the Oil gauge, if you are using the original oil gauge on the vehicle, you will have to change the oil sender to match.



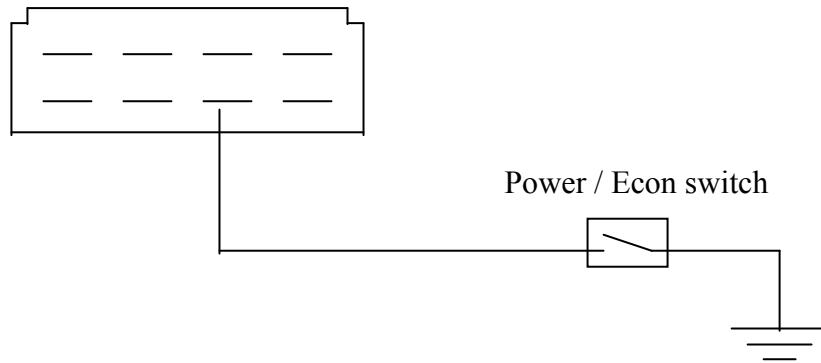
6) Starter motor Signal

This is to be wired to the start position on the ignition switch. If using an Automatic gearbox, make sure the inhibitor switch is hooked up first.



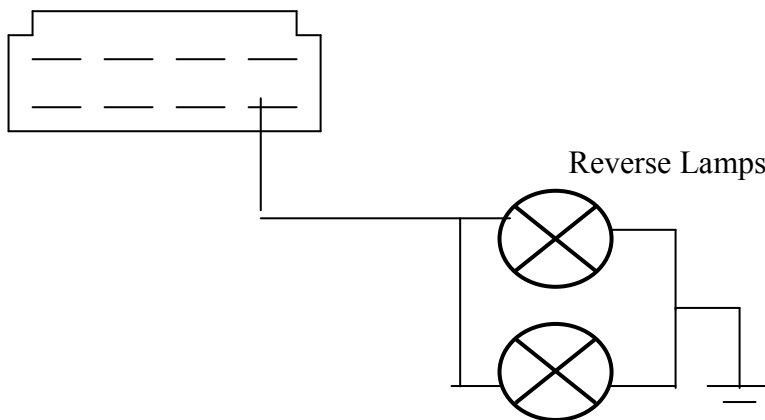
7) Power / Econ switch

This is to be hooked up to the power / Econ switch which is mounted in the centre console.

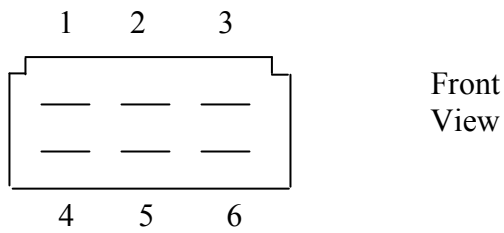


8) Reverse Lights – 3mm Brown\Blue

This is to be wired up to the Reverse lamps



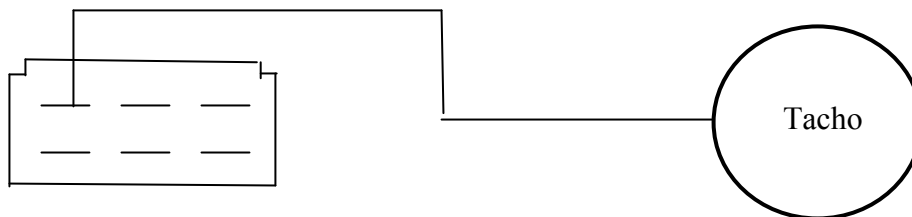
6 Pin Female Plug



- | | |
|-------------------|--------------------------|
| 1) Brown | Tacho Signal. |
| 2) Yellow\White | A / C Switch. |
| 3) White / Brown | E.C.M Check Engine Lamp. |
| 4). | |
| 5) Violet / White | Speedo output |
| 6) | |

1) Tacho Signal

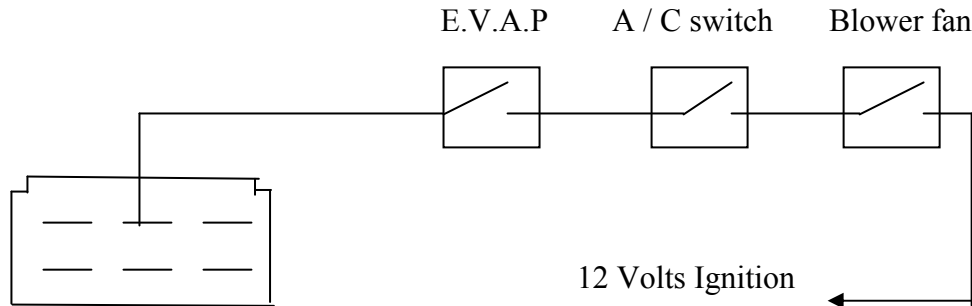
This is to be wired up to the tacho signal, on the back of the tacho.



If using a Tacho on a V6, you need to purchase an Interface Box.

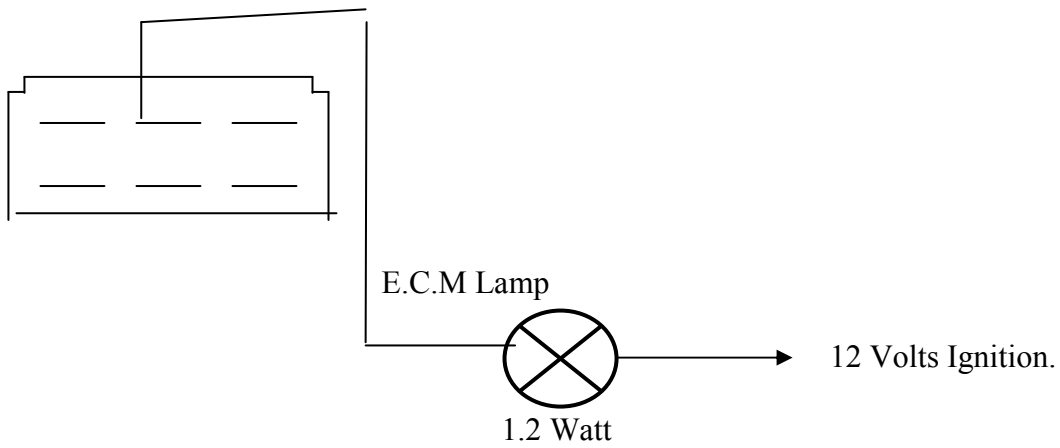
2) A / C Switch

This is to be wired up to the A / C switch, through the blower fan and the E.V.A.P temp switch.



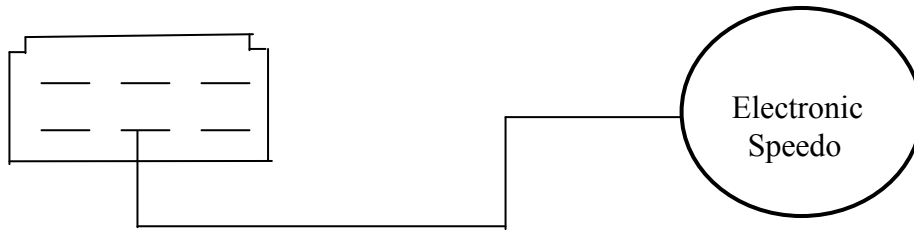
3) E.C.M Lamp

This is to be wired up to the E.C.M warning lamp,



5) Speedo Output

This is to be wired up to the Speedo output signal, on the back of the Speedo.
(Only use if running an electronic Speedo in the dash).



Run the fuel pump wiring down to the fuel pump and connect as follows:
(Red is positive - Black is negative)

Run the thermo fan wiring down to the front of the radiator and with the 2 pin plug, wire in the fans. Check the direction of the cooling fans. If the fan runs backwards, reverse the wires in the 2 pin plug (red & black)

After final installation of the loom, check that all of the circuit breaker connection are tight.

SPECIAL NOTES.

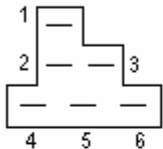
Note 1: Ignition Switch By Pass

Holden HQ-VB & Torana

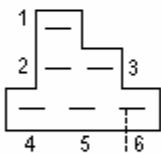
Points ignition Bypass Diagram

NOTE!!!!

If This Process is not Carried out Correctly your Vehicle will fail to run

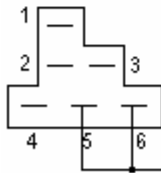


- 1. Violet Starter Motor Solenoid
- 2. Not Used
- 3. Red Battery +ve
- 4. Black Earth
- 5. Pink Ignition 1
- 6. Yellow-White Ignition 2 Resister Wire For Points Ignition



Yellow-White Resister wire That Orignally went to Coil +ve With Points ignition setup

This Wire needs to be cut and disregarded



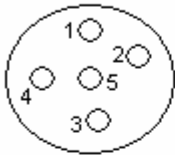
Pin 5 Pink Ignition 1 and Pin 6 ignition 2 need to be looped together and a new wire to be ran out and connected to Cae Engine Loom as shown. This will enable the Cae loom to have a true ignition voltage and not have a voltage of 8volt caused by the resister wire

Holden EJ EH HR HD HK HG HT

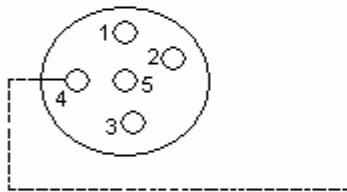
Points Ignition Bypass Diagram

NOTE!!!!

If This Process is not Carried out Correctly your Vehicle will fail to run

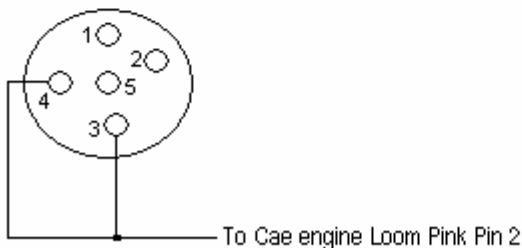


1. Red Batter +ve
2. Brown Accessories
3. Pink Ignition 1
4. White Ignition 2 Resister
5. Violet Starter Solenoid



White Resister wire That Orignally went to
Coil +ve With Points ignition setup

This Wire needs to be cut and disregarded

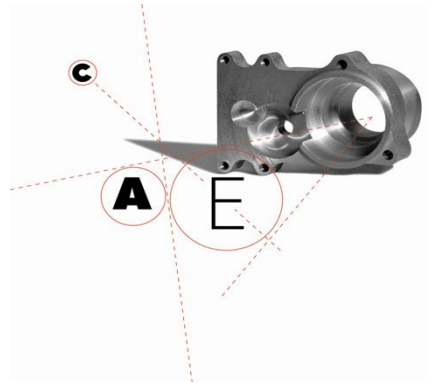


Pin 3 Pink Ignition 1 and Pin 4 ignition 2 need to be looped together and a new wire to be ran out and connected to Cae Engine Loom as shown. This will enable the Cae loom to have a true ignition voltage and not have a voltage of 3volt caused by the resister wire

Note 2: If Engine does not start.

- 1) Do you have fuel pressure?
- 2) Do you have Hi Tension Spark?
- 3) Do you have Injection Pulse?
- 4) Check Pin 2 on Control loom Ignition feed with test light and with the Ignition switched on and with the Engine cranking over the test light should stay on at all times.
If light fails to glow, go back to Note 1 and recheck ignition bypass.

Due to shortage of wire colours at times, there may be some wire colours that don't match. If this is the case follow the plug configuration



*PRECISION
ENGINEERED TO MOVE*

C.A.E. PERFORMANCE PRODUCTS PTY LTD

7 MAIN ROAD, CASTLEMAINE, VIC 3450
P.O. BOX 686, CASTLEMAINE, VIC 3450
ABN NO. 37 340 926 183

T 03 5472 1442
F 03 5472 4111

WWW.CAENTERPRISES.COM.AU
INFO@CAENTERPRISES.COM.AU

C.A.E. PERFORMANCE PRODUCTS PTY LTD LOOM WARRANTY

Manufacturer's Warranty:-

All Looms manufactured or modified by C.A.E. Performance Products Pty Ltd will be guaranteed against faulty workmanship for a period of twelve months.

The warranty is subject to the following conditions:-

- All claims must be made within the warranty period.
- Any loom manufactured or modified that has been found to have faulty workmanship or related faults due to the workmanship of C.A.E. Performance Products will be replaced or repaired free of charge.
- C.A.E Performance Products recommend that this product be fitted by qualified personnel.
- The warranty will not apply to a loom that has been installed incorrectly or has been subject to neglect, intentional or accidental damage, unauthorized repairs or modifications or used for the wrong application.
- The warranty does not cover installation or removal of wiring loom or freight costs.

The warranty will only apply to wiring looms used for normal road use

